

Innocore offers a range of low cost, high quality enclosures for our gaming board products. The “Efficiency line” of enclosures provides off-the-shelf solutions and reduces time to market by allowing simple deployment of any of Innocore’s advanced platforms. The enclosures include secure locking mechanism and an intrusion contact switch wired to the motherboard’s security system. They also include power supplies, cable harnessing and options for various peripherals such as hard drives, audio, CF cards, graphics cards and iButtons.

FEATURE SUMMARY

System:

Enclosures for the range of Innocore DPX Series (DPX-112, DPX-S410-SDVO, DPX-S410-PCIE, DPX-S305)

Painted robust steel construction

Power supply

Internal cables

Cooling fan

Security lock

Intrusion detection switch

Full assembly, functional test and burn-in

Audio connector board

I/O:

Access to all the I/O of the respective platform

Video:

Optional graphic cards (AGP/PCIE depending on motherboard)

Options:

iButtons

Compact Flash modules

Hard Disk with shock mountings



BENEFITS

Ready made enclosure solutions

Small size

Designed for the Gaming Industry

Meets regulatory standards

Low Cost

See overleaf detailed specification

Efficiency Enclosures

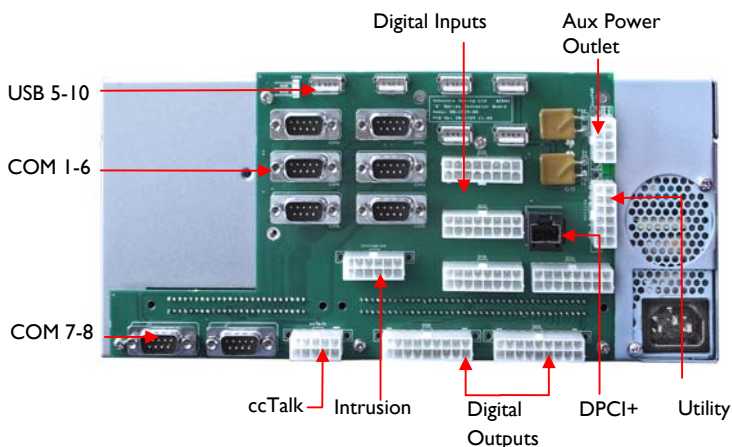
DPX-EFS Slimline Enclosure

Fits: DPX-112, DPX-S305, DPX-S410
Dims (mm): 122(H) x 283(W) x 198(D)
PSU: 180W, Input Voltage 90-260V
PSU Hold-Up: Greater than 17ms
PSU Efficiency: Greater than 68% at full load
PSU MTBF: 100,000 hrs at full load at 25°C
Operating Temperature: 0 - 50°C
Approvals: FCC Class A, CE Mark, RoHS, WEEE
Mounting: Four Threaded (M4) inserts on base

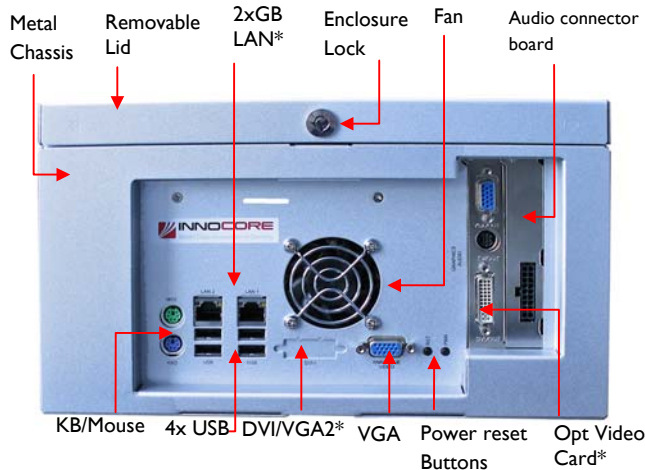


DPX-EFT Tall Enclosure

Fits: DPX-112, DPX-S305, DPX-S410
Dims (mm): 164(H) x 279(W) x 198(D)
Optional : AGP/PCIE Graphics card
PSU: 180W, Input Voltage 90-260V
PSU Hold-Up: Greater than 17ms
PSU Efficiency: Greater than 68% at full load
PSU MTBF: 100,000 hrs at full load at 25°C
Operating Temperature: 0 - 50°C
Approvals: FCC Class A, CE Mark, RoHS, WEEE
Mounting: Four Threaded (M4) inserts on base



DPX-EFS Shown with Optional I/O Connector Board fitted
(Also available on the DPX-EFT)



Front View of DPX-EFT

*Dependent on Motherboard fitted

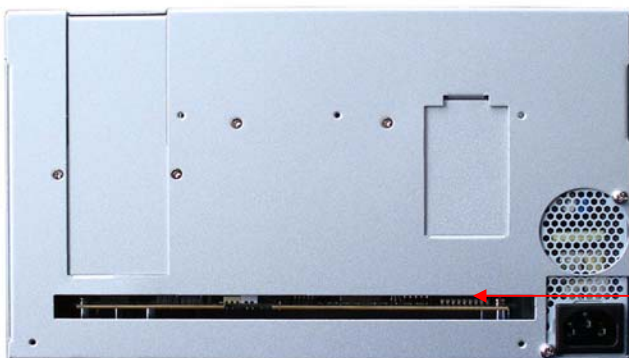
OEM Customization and Product Development

Innocore specializes in the fields of PC-based hardware design and software development. Our in-depth knowledge and global resources make us your ideal partner.

Specifications subject to change. E&OE.

All trademarks are acknowledged and respected

Innocore Gaming email:
sales@innocoregaming.com



Golden Finger Connector.
See motherboard datasheet for specifications

DPX-EFT Shown Without Connector Board